

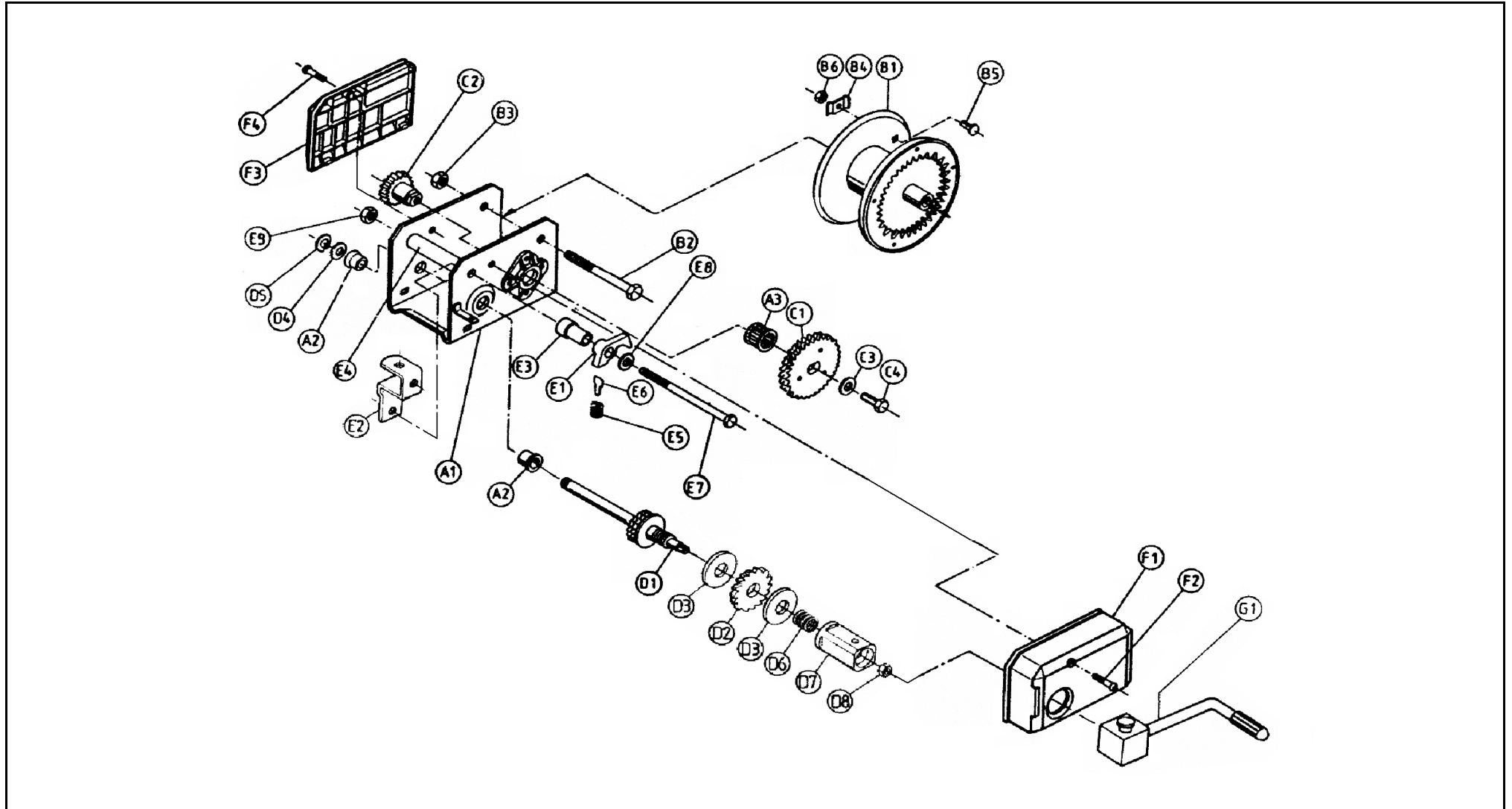
CABLE WINCH 901A CRANK REMOVEABLE

ETI- No. 811194

(Specify the order with the ETI No.)

AL-KO

Spare Parts



Item	Description	Drawing No.
A1	BODL CPL	NO SPARE PART
A2	BEARING BUSH	352474
A3	BEARING	700837
B1	HOISTING DRUM	352511
B2	BOLT HEX M12x125 DIN 931	352431
B3	NUT HEX M12 BIW-SAFETY	371932
B4	ROPE CLAMP	352015
B5	MUSHROOM HEAD BOLT	700799
B6	NUT HEX M6 DIN 934	700107
C1	GEAR CPL.	352021
C2	COG	352018
C3	WASHER 11 DIN 1440	352111
C4	BOLT HEX M10x16	703783
D1	DRIVELINE	352254
D2	RATCHET DISC	352270
D3	BRAKE DISC	352228
D4	STEEL PLATE	352110
D5	LOCKING RING 14x1 DIN 471	701001
D6	COMPRESSION SPRING	352291
D7	CRANK NUT	352702
D8	NUT HEX M10 BIW-SAFETY	375724
E1	SAFETY CATCH	352271
E2	HOLDING BOW	352450

Item	Description	Drawing No.
E3	SPACER TUBE	352473
E4	SPACER TUBE	352483
E5	COMPRESSION SPRING	352299
E6	SPRING HOLDER PLATE	352232
E7	BOLT HEX M10x165	703329
E8	WASHER A10,5	702002
E9	NUT HEX M10 BIW-SAFETY	703783
F1	DRIVE CASING	352445
F2	LENS HEAD SCREW 6x35	589495
F3	COVER	352443
F4	LENS HEAD SCREW 6x16	589122
G1	CRANK CPL.	352606

provided	ETI-No.	changed	Change No.	Reason of the change	Revisions-No.
09.09.97	811194_en	11.02.2010	FREIGABE		A
		18.01.2011	16405	Pos. D7: 352702 was 352478	B